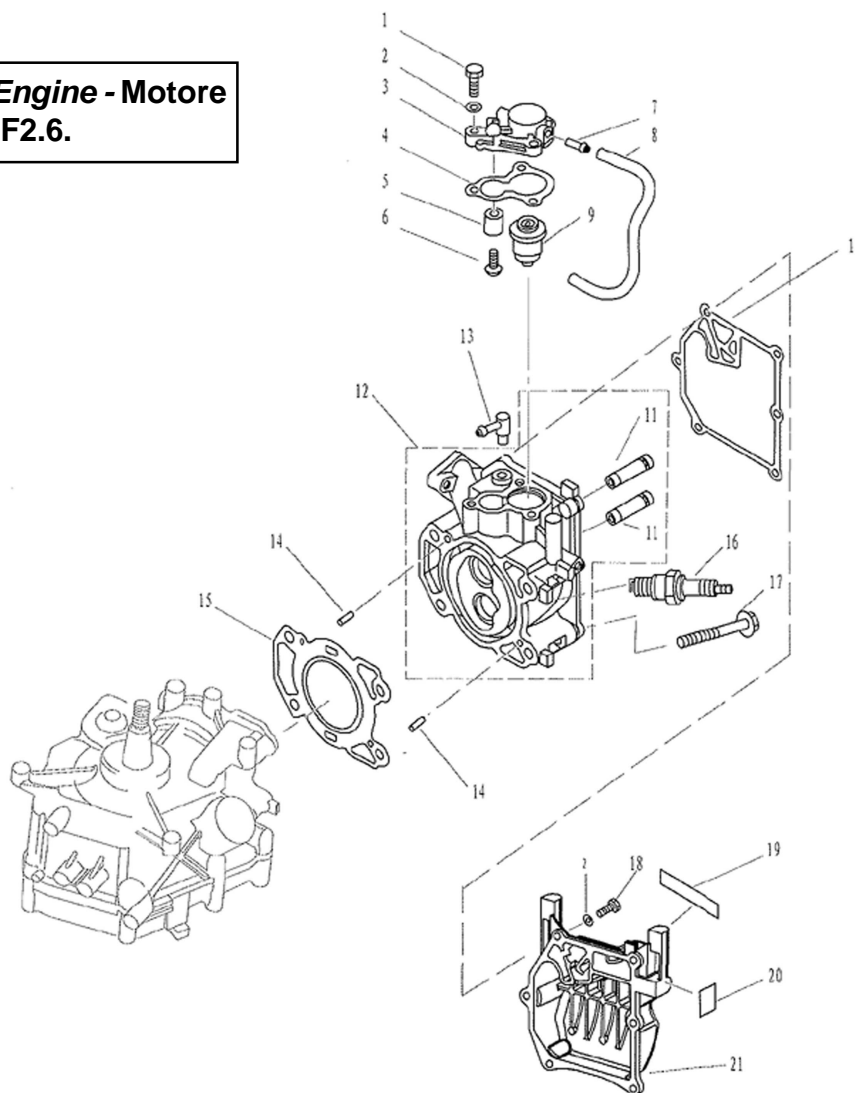


## BLOQUE 1 - Cylinder & cranckase 1 - Blocco 1

**MOTOR - Engine - Motore  
F2.6.**



| Nº | REF. PARSUN<br>Ref. Parsun<br>Ref. Parsun | DESCRIPCIÓN<br>Description<br>Descrizione | CANTIDAD<br>Qty<br>Quantità |
|----|---|---|-----------------------------|
| 1  | PAGB/T5783-2000                           | BOLT                                      | 3                           |
| 2  | PAGB/T97.1-85                             | WASHER, PLATE                             | 9                           |
| 3  | PAF2.6-04000501                           | COVER, THERMOSTAT                         | 1                           |
| 4  | PAF4-04000011                             | GASKET, THERMOSTAT                        | 1                           |
| 5  | PAF4-04070003                             | ANODE                                     | 1                           |
| 6  | PAGB/T818-85                              | SCREW, PAN HEAD                           | 1                           |
| 7  | PAF4-04010002                             | PIPE, JOINT                               | 1                           |
| 8  | PAF2.6-04000007                           | PIPE, WATER                               | 1                           |
| 9  | PAT15-04000010                            | THERMOSTAT                                | 1                           |
| 10 | PAF2.6-04000005                           | GASKET, CYLINDER COVER                    | 1                           |
| 11 | PA166F-010104                             | VALVE GUIDE BUSH                          | 2                           |
| 12 | PAF2.6-04040100                           | CYLINDER HEAD ASSY                        | 1                           |
| 13 | PAF15-04000005                            | SPILE WATER ASSY                          | 1                           |
| 14 | PAF15-00000013                            | PIN                                       | 2                           |
| 15 | PAF2.6-04000001                           | GASKET, CYLINDER HEAD                     | 1                           |
| 16 | NGKBR6HS                                  | SPARK PLUG                                | 1                           |
| 17 | PAF4-04000034                             | BOLT                                      | 4                           |
| 18 | PAGB/T5783-2000                           | BOLT                                      | 6                           |
| 19 | PAF2.6-07000008                           | MARK 8                                    | 1                           |
| 20 | PAF4-08000110                             | MARK 10                                   | 1                           |
| 21 | PAF2.6-04000006                           | COVER, CYLINDER HEAD                      | 1                           |